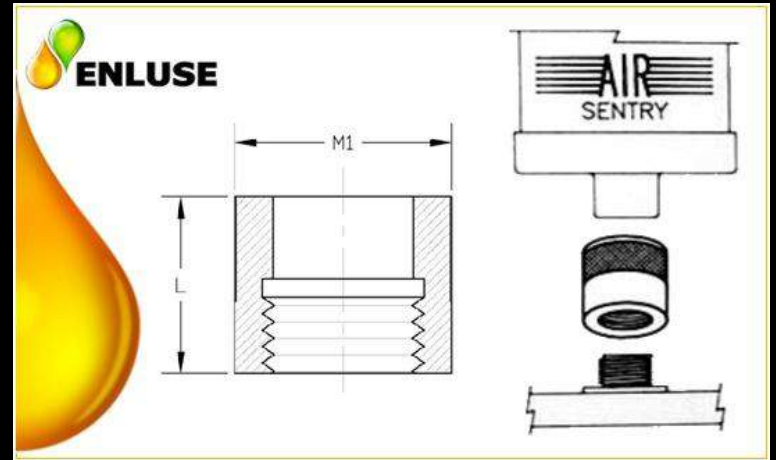




# Air Sentry®

## Breather Adapters

For easy installation



## Index:

- Air Sentry® Breather Adapters for Easy Installation
- Slip Fit – Threaded Adapters (male)
- Slip Fit – Threaded Adapters (female)
- Slip Fit – Bayonet Adapters
- Slip Fit – Threaded Spin-on Adapters
- Slip Fit – Flange Adapters
- Threaded Metal Adapters
- Splash Sentry™
- Contact Information



## Air Sentry® Breather Adapters for Easy Installation

Flange adapters, used with breathers having a 1" slip-fit connection, are used for reservoirs where the tank wall is not thick enough to allow for tapping threads. With the Model A-101 adapter, mounting holes can be drilled in the high impact ABS molded flange to mate with any required hole pattern. The Model A-114 flange adapter has a standard ANSI 6-hole pattern pre-drilled for mounting.

Threaded adapters, suitable for use with Air Sentry breathers that have a 1" slip fit connection, are intended for reservoirs or gearboxes with a wall thickness sufficient for a tapped hole. Male and female NPT and male BSP thread versions are available.

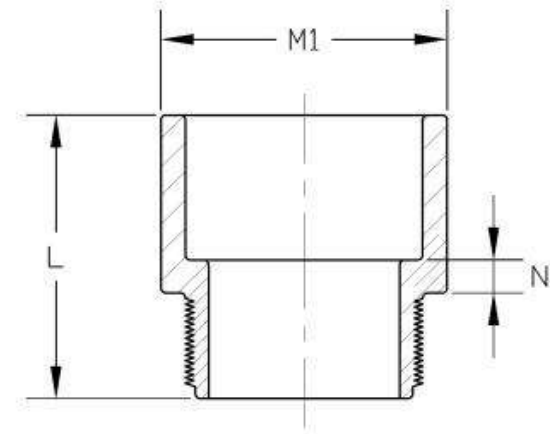
The bayonet adapter replaces a standard breather cap on a hydraulic reservoir. Simply remove the breather cap, place the bayonet adapter on the breather flange, and rotate one-quarter turn. No tank modification is required. Bayonet adapters fit Air Sentry breathers with a 1" slip-fit connection.

Threaded spin-on adapters replace the standard spin-on particle filters made by many manufacturers. These adapters fit Air Sentry breathers with 1" slip-fit connections, are available in different sizes, and thread configurations. No tank modifications are required.

Threaded metal adapters fit the X-100 and any Z series breather. The breather connection is ½" male NPT while a variety of reservoir connection types are available.

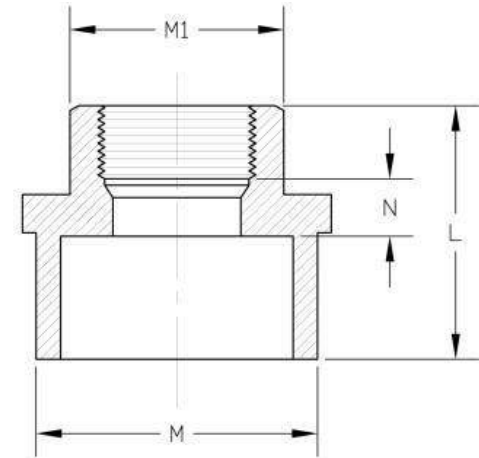
# Adapter Specifications

## Slip Fit – Threaded Adapters (male)



Part #	Material	Connection to Breather	Connection to Reservoir	M1(inches)	N(inches)	L (inches)
A-102	Schedule 40 PVC	Slip Fit – 1 inch	1 inch male NPT	1 5/8	7/32	2
A-103	Schedule 40 PVC	Slip Fit – 1 inch	¾ inch male NPT	1 21/32	3/16	2
A-409	Schedule 40 PVC	Slip Fit – 1 inch	½ inch male NPT	1 9/16	5/8	2 7/16
A-501	Schedule 40 PVC	Slip Fit – 1 inch	1 inch male BSP	1 5/8	7/32	2 1/8
Fits all breathers with slip fit connections						

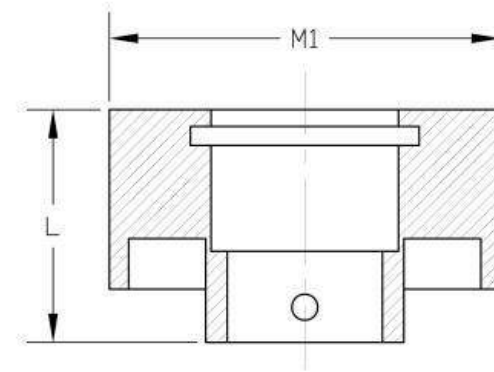
# Adapter Specifications



## Slip Fit – Threaded Adapters (female)

Part #	Material	Connection to Breather	Connection to Reservoir	M(inches)	M1(inches)	N(inches)	L (inches)
A-410	Schedule 40 PVC	Slip Fit – 1 inch	½ inch female NPT	1 11/16	1 3/16	5/32	2
Fits all breathers with slip fit connections							

# Adapter Specifications

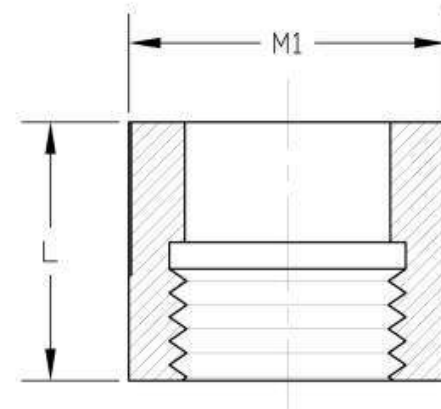


## Slip Fit Bayonet Adapters

Part #	Material	Connection to Breather	Connection to Reservoir	M1(inches)	L (inches)
A-104	High Density EDPM, Gasket, Metal Dowel	Slip Fit – 1 inch	Bayonet push & turn connection	2 3/4	1 5/8
Fits all breathers with slip fit connections					

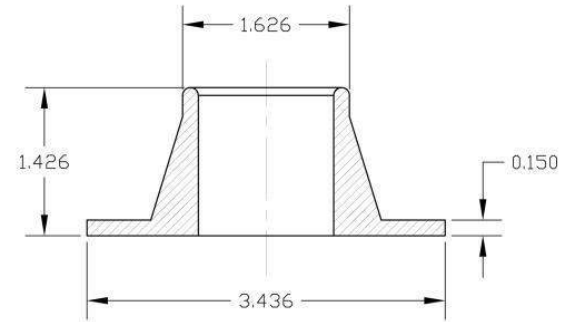
# Adapter Specifications

## Slip Fit Threaded Spin-On Adapters



Part #	Material	Connection to Breather	Connection to Reservoir	M1 (inches)	L (inches)
A-105	High Density EDPM	Slip Fit - 1 inch with O-ring seal	1 inch - 12 UNF, 3/4 inch thread length	2	1 5/8
A-106	High Density EDPM	Slip Fit - 1 inch with O-ring seal	1 1/2 inch - 16 UNF, 3/4 inch thread length	1 21/32	2
A-115	Delrin	Slip Fit - 1 inch with O-ring seal	1 1/2 inch - 16 UNF, 3/4 inch thread length	1 9/16	2 7/16
Fits all breathers with slip fit connections					

# Adapter Specifications



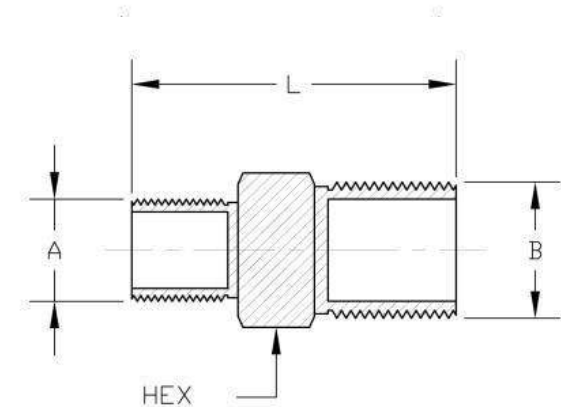
## Slip Fit Flange Adapters

Part #	Material	Connection to Breather	Connection to Reservoir
A-101	High Impact ABS	Slip Fit – 1 inch	Customer drilled holes
A-114	High Impact ABS	Slip Fit – 1 inch	Six 3/8 inch clearance holes spaced 60 degrees apart on 2 7/8 inch diameter center
Fits all breathers with slip fit connections			



# Adapter Specifications

## Threaded Metal Adapters



Part #	Material	Connection to Breather (A)	Connection to Reservoir (B)	L (inches)	Hex Size (inches)
A-401	Carbon Steel	1/2 inch male NPT	1/4 inch male NPT	1 5/8	7/8
A-402	Carbon Steel	1/2 inch male NPT	1/4 inch female NPT	1 1/2	7/8
A-403	Carbon Steel	1/2 inch male NPT	3/8 inch male NPT	1 5/8	7/8
A-404	Carbon Steel	1/2 inch male NPT	3/8 inch female NPT	1 11/16	7/8
A-406	Carbon Steel	1/2 inch male NPT	3/4 inch male NPT	1 7/8	1 1/16
A-407	Carbon Steel	1/2 inch male NPT	1 inch female NPT	1 15/16	1 3/8
A-408	Carbon Steel	1/2 inch male NPT	1 inch male NPT	2 3/32	1 1/16
Fits all Z-Series breathers and X-100					

## Adapter Specifications



### Splash Sentry™

Splash Sentry is an anodized steel adapter, available in 1" MNPT and 2" MNPT, that protects the breather from splashing fluids when installed on mobile, off-road, or mining equipment.

Part #	Material	Connection to Breather	Connection to Reservoir
A-310	Anodized Steel	1 inch male NPT	1 inch male NPT
A-311	Anodized Steel	2 inch male NPT	1 inch male NPT

## Contact Information:

### **Enluse B.V.**

Erichemseweg 26

4117 GJ Erichem Netherlands

Office :

+31 (0) 765 781 280

[info@enluse.com](mailto:info@enluse.com)

[www.enluse.com](http://www.enluse.com)

Direct :

Toon van Grunderbeeck

+32 (0) 476 23 83 78

[toonvg@enluse.com](mailto:toonvg@enluse.com)